



Cam Operated Rotary Switches



Cam Operated  
Rotary Switches



*GE Cam Operated Rotary Switches have rugged and reliable design to suit various applications with lot ease and convenience in operation. The switches are hand operated, designed for ON LOAD switching having modular assembly to suit different circuits of multipole and multipositions. The switches are designed for a greater level of switching efficiency and aesthetics. The switches are certified by Bureau of Indian Standards, CSA and conforms to European Standards EN.*

### Range

GE Cam operated Rotary switches are available in different switching programs. The range includes:

- The switches are available upto 12 position with 30°, 45°, 60° & 90° switching angles. The current range includes 6A, 10A, 16A, 32A and 63A.
- Voltmeter Selector switches which are available in Phase to Phase, Phase to Neutral with off or without off to read Voltage
- Ammeter Selector switches which are available in Phase to Phase, Phase to Neutral with off or without off, Direct and through CT operated to read Current
- Phase Change over, Forward / Reverse with single or double speed, Star Delta switches for smooth changeover and other motor control applications
- Special application switches and switches having varied programs are available on request

### Features

#### Modular Construction

GE Cam operated Rotary switches are units of contact blocks assembled on add-on system supported by an hexagonal operating centre shaft. Different type of Cams are used for different contact sequences.

#### High withstand capability

High quality insulating materials are used to withstand mechanical and electrical stresses.



#### Enhanced Life

Contact Blocks are made up of Engineering grade plastic which increases the life, insulation and mechanical strength.

#### High Reliability

The contact blocks are provided with two independent set of double break contacts with silver contact tips. For perfect making and breaking stainless steel springs are provided.

#### Aesthetic design

Beautiful and sleek knobs or handles are provided for smooth making and breaking operations. Elegant indicating plates made of plastic are provided with different colour combination. Combinations like grey knob and black plate are available on request.

#### Temperature withstand capability

These are recommended for use upto 55° ambient temperature and can withstand hot falling sand upto 300° F.

#### Voltage impulse test

All switches withstand a test of 2.5KV for one minute between phase and earth and between terminals when the switch is off.

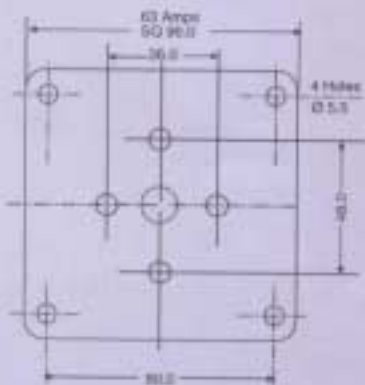
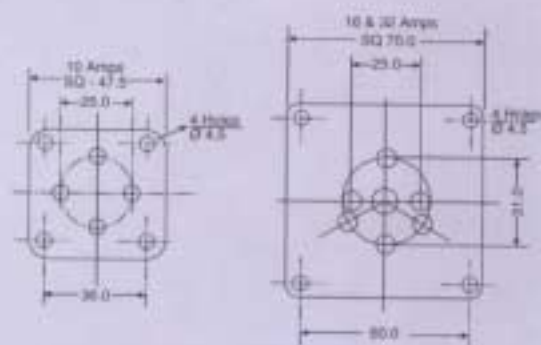
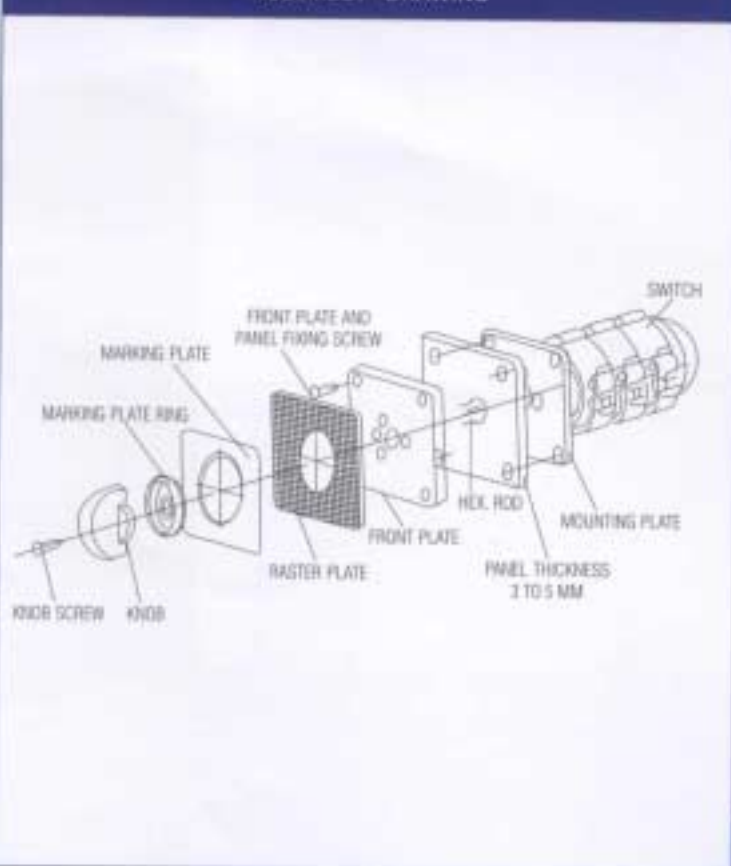


## OVERALL DIMENSIONS

SWITCH			All Dimensions are in mm.													
Amps	Outer Diameter	Position Block	Contact												Contact Cover	CAP
			1	2	3	4	5	6	7	8	9	10	11	12		
10 Amps	Ø35	11.00	9.5	19.0	28.5	38.0	47.5	57	66.5	76	85.5	95	104.5	114	4.0	5.0
16 Amps	Ø46.5	12.0	12.0	24	36	48	60	72	84	96	108	120	132	144	4.0	7.5
32 Amps	Ø60	13.5	15.0	30	45	60	75	90	105	120	135	150	165	180	3.5	7.5
63 Amps	Ø70	14.5	21.3	42.0	63.0	85.2	106.5	127.8	149.1	170.4	191.7	213	234.3	255.6	4.5	11.0

BACK OF PANEL MOUNTING SIZE (LENGTH) = POSITION BLADE + CONTACT BLOCKS REQUIRED + CONTACT COVER + CAP

## ASSEMBLY DRAWING



## MOUNTING DIMENSIONS



**Technical Specifications:**

Conforms to the specification	: IS 13947 (Part 5/Sec - 1) IEC 947 - 5 - 1 for AC 15 / DC 13
Mechanical life	: 3 million operations
Maximum Switching Cycle	: 300 operations / hour
Class of mechanical durability	: 3
Operating temperature	: -25°C to + 55°C
Rated Voltage	: 415 V AC / 240 V DC
Rated insulation Voltage	: 600VAC
Pollution degree	: 3

		10A	16A	32A	63A
<b>AC APPLICATIONS</b>					
Continuous Current					
lth (Open)	A	12.5	20	40	80
Duty - @ 415V, 50 Hz					
AC - 1	A	10	16	32	63
AC - 2	A	8	10	20	40
AC - 3	A	3	8	12	25
AC - 4	A	2.5	4	8	16
AC - 15	A	2.5	4	8	10
AC - 21 A	A	12	20	40	80
AC - 22 A	A	10	16	32	63
AC - 23 A	A	5	8	16	32
<b>DC Application @ 240 V</b>					
DC - 1	A	1.5	3	6	12
DC - 3	A	0.75	1.2	2.5	5
DC - 5	A	0.75	1	2	4
DC - 13	A	0.75	1.5	3	6
DC - 23 A	A	0.75	1.2	2.5	5
<b>Terminal Cross Section</b>					
Single Strand	mm <sup>2</sup>	2	4	6	16
Multi Strand	mm <sup>2</sup>	1.5	2.5	4	10

\* Duty ratings according to IS 13947 (Pt 1) : 1993 / IEC 947 - 1)

**Ordering Information:**

Specify the six digit code G□□□□□

First five digits - Program number

Last digit - Current rating for the switch. (0-6A, 1-10A, 2-16A, 3-32A, 4-63A)

For special switches diagram showing programming details and any other details should be provided.

We are committed to continuous development and improvement of our products and the specifications are subject to change without notice. Please contact our nearest sales office for confirmation.



## GE Power Controls

**Head Office**

GE Power Controls India Private Limited, 42/1 & 45/14, K.I.A.D.B., Electronic City, Phase II, Bangalore - 561 228, India.  
Ph: +91 (080) 852 8355 Fax: +91 (080) 852 8366 email: [gepc.components@geind.ge.com](mailto:gepc.components@geind.ge.com)

**Regional Offices:** **New Delhi:** Tel: 011 - 3753863/8162 Fax: 011 - 3753865 email: [gepcnorthsales@geind.ge.com](mailto:gepcnorthsales@geind.ge.com) **Kolkata:** Tel: 033 - 2161047 Fax: 033 - 2161003 email: [gepcwestsales@geind.ge.com](mailto:gepcwestsales@geind.ge.com)  
**Mumbai:** Tel: 022 - 4488372, 4488285 Fax: 022 - 4442921 email: [gepcwestsales@geind.ge.com](mailto:gepcwestsales@geind.ge.com) **Chennai:** Tel: 044 - 4329179/80, 433776/769 Fax: 044 - 4327325 email: [gepcsouthsales@geind.ge.com](mailto:gepcsouthsales@geind.ge.com)

Visit us at: [www.gepowercontrols.com/india](http://www.gepowercontrols.com/india)