



Oil Tight Limit Switches



GE standard oil tight limit switches have been designed to convert a mechanical motion to an electrical signal for controlling remote contactors, starters etc. These standard oil tight type PC9 limit switch are designed to perfection, tested to rigid quality standards and offer high level of reliability.

Features

- Completely oil & water tight and dust & damp proof
- Ample wiring space for easy termination
- Flame retardant thermoplastic barriers between terminals to prevent short circuit
- Serrated terminal to give firm grip to straight wire
- Flexibility of replacing complete contact block without changing the operating characteristic
- The SPDT twin break silver contracts provide quick make and break action with high contact pressure
- The brass forged lever and all stainless steel parts provide high rigidity and corrosion resistance

Types of operating heads

These limit switches are available with a variety of operating heads to meet diverse applications.

• Rotary Lever Operating Head

There are available in spring return and maintained types. The rotary shaft can be readily changed to operate clockwise, counter clockwise or both. The operating levers may be rotated and locked in any position through 360°. The operating head can be positioned in any of the four sides. The lever rollers are 19mm diameter and 8mm wide. The levers are available fixed and adjustable lengths.

• Fork Lever Operating Head

Each of the two arms of length 38mm has a roller either in line or offset. Available in spring return type.

• Top push operating heads

These are available in two designs. One has an adjustable push button, the length of which can be adjusted upon to 8mm. (Adjustment is accomplished by turning the threaded, hexagon head, operating plunger and securing it with a lock nut). The second type has a metal roller of 11.1mm dia. The top push roller is easier to apply because the direction operation and repeat accuracy is less critical.

• Side push operating head

This head is also available with an adjustable push button alternatively a metal roller of 12mm diameter. These are designed for small space and lower travel application where the actuator travel is perpendicular to the switch.



PLSL-F



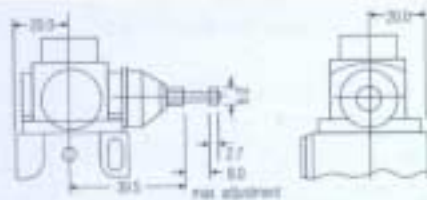
PLSL1



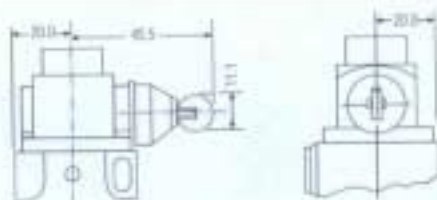
PLSTPBA

ORDERING INFORMATION

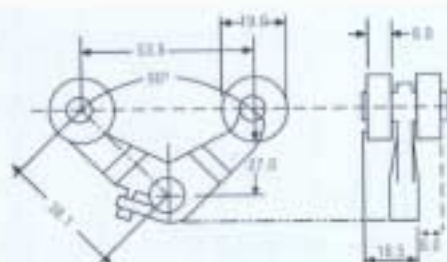
Description	Ordering
STANDARD OIL TIGHT (1NO+1NC) SNAP ACTION	
Metal Roller Lever with Spring Return contact	
38mm length	P
76.2mm length	P
Adjustable 32-82.5mm length	P
Metal Roller Lever with Maintained contact	
38mm length	PLSL
76.2mm length	PLSL
Adjustable 32-82.5mm length	PLSL
Top Push	
Roller type	PL
Button Type Adjustable upto 8mm bracket	PLS
Side Push	
Roller type	PL
Button Type Adjustable upto 8mm bracket	PLS
Cat Whisker	
Nylon Rod	P
Steel Rod	P
Metal Fork Roller Lever (in line)	P
Metal Fork Roller Lever (offset)	PLS
ACCESSORIES & SPARES FOR PL SERIES	
Lever Assembly	
38 mm lever with 18 mm dia X 8 mm wide metal roller	
76.2 mm lever with 19 mm dia X 8 mm wide metal roller	
Adjustable type lever	
Fork type lever with rollers offset	
Fork type lever with rollers in line	P
Basic contact Block	
Operating head	
For side plunger button type	PC
For side plunger roller type type	PC
For top plunger button type	PC



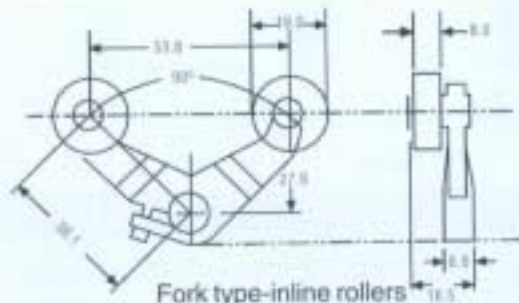
Side push button adjustable



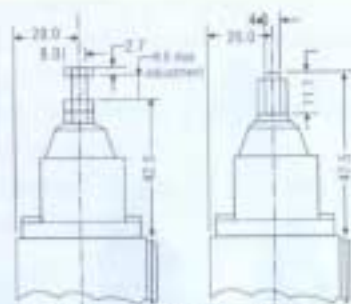
Side push roller



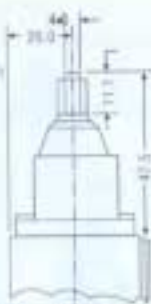
Forktype offset rollers



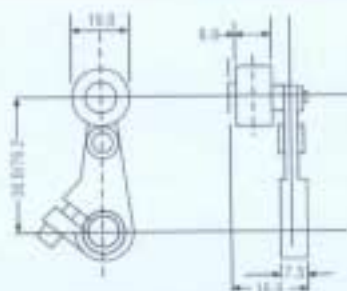
Fork type-inline rollers



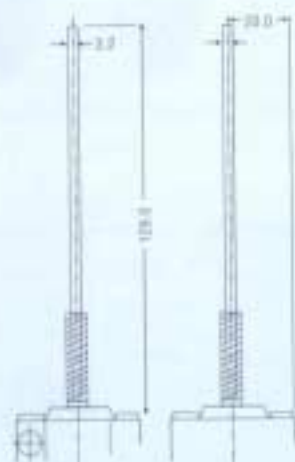
Top push button adjustable



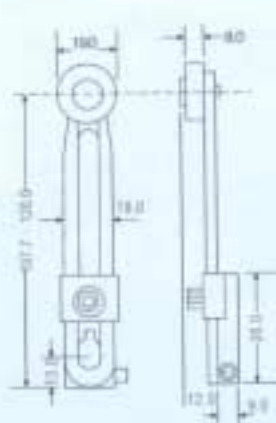
Top push roller



Roller lever



Nylon cat whiskers



Adjustable lever

We are committed to continuous development and improvement of our products and the specifications are subject to change without notice. Please contact our nearest sales office for confirmation.



GE Power Controls

Head Office

GE Power Controls India Private Limited, 42/1 & 45/14, K.I.A.D.B., Electronic City, Phase II, Bangalore - 561 229, India.
 Ph: +91 (080) 852 8355 Fax: +91 (080) 852 8368 email: gepc.components@geindia.com

Regional Offices: New Delhi: Tel: 011 - 3753890/61/60 Fax: 011 - 3752665 email: gepcnorthsales@geindia.com Kolkata: Tel: 033 - 21610047 Fax: 033 - 2161003 email: gepcwestsales@geindia.com
 Mumbai: Tel: 022 - 4468372; 4468295 Fax: 022 - 4442921 email: gepcwestsales@geindia.com Chennai: Tel: 044 - 4329173/80, 4353776/769 Fax: 044 - 4337325 email: gepcsouthsales@geindia.com

Visit us at: www.gepowercontrols.com/india