

Auxiliary contactors / Contacteurs auxiliaires

	UI	V	660	1000
	Ith	A	16	20
	max.	mm²	2 x 2.5	2 x 6
A600	120V	Ie	A	6
AC15 / AC11	220/230V	A	6	10
	380/400V	A	4	6
	415/440V	A	3	5
	500V	A	2.5	4
	660/690V	A	1.5	2
P600	24V	Ie	A	5
DC13 / DC11	48V	A	3.5	4
	110V	A	1.2	2
	220V	A	0.6	0.7
	440V	A	0.35	

	COILS / BOBINES	MBO A	MBO C	LB1 A	LB1 D

Auxiliary contact blocks / Blocs contacts auxiliaires

FRONT MOUNTED MONTAGE FRONTAL	NO	NC/NF			
	2	0	MARN 220 AT	3 NO	1 NC
	1	1	MARN 211 AT	4	2
	0	2	MARN 202 AT	5	3
	4	0	MARN 440 AT	6	4
	3	1	MARN 431 AT	7 NO	5 NC
	2	2	MARN 422 AT	8	6
	1	3	MARN 413 AT	9	7
	0	4	MARN 404 AT	10	8
SIDE MOUNTED MONTAGE LATÉRAL					
	1	0	MARL 110 AT	2	0
	0	1	MARL 101 AT	1	1
EXTENSION BLOCKS, side mounted BLOCS D'EXTENSION, montage latéral					
	1	0	MARL 110 ATS		
	0	1	MARL 101 ATS		

Coils / Bobines

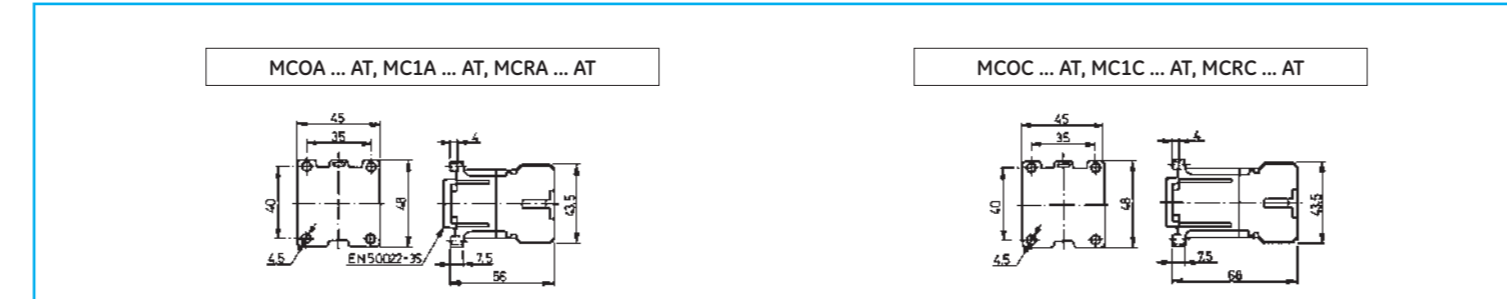
M-RL	A	E th	E	G th	H	K	L	N	U	W	Y	Z
50 Hz	32	24	48	127	220	380	415	500	660	690		
60 Hz	6	12	24	32	36	42	48	60	72	110	120	125

Series M-CL-CK

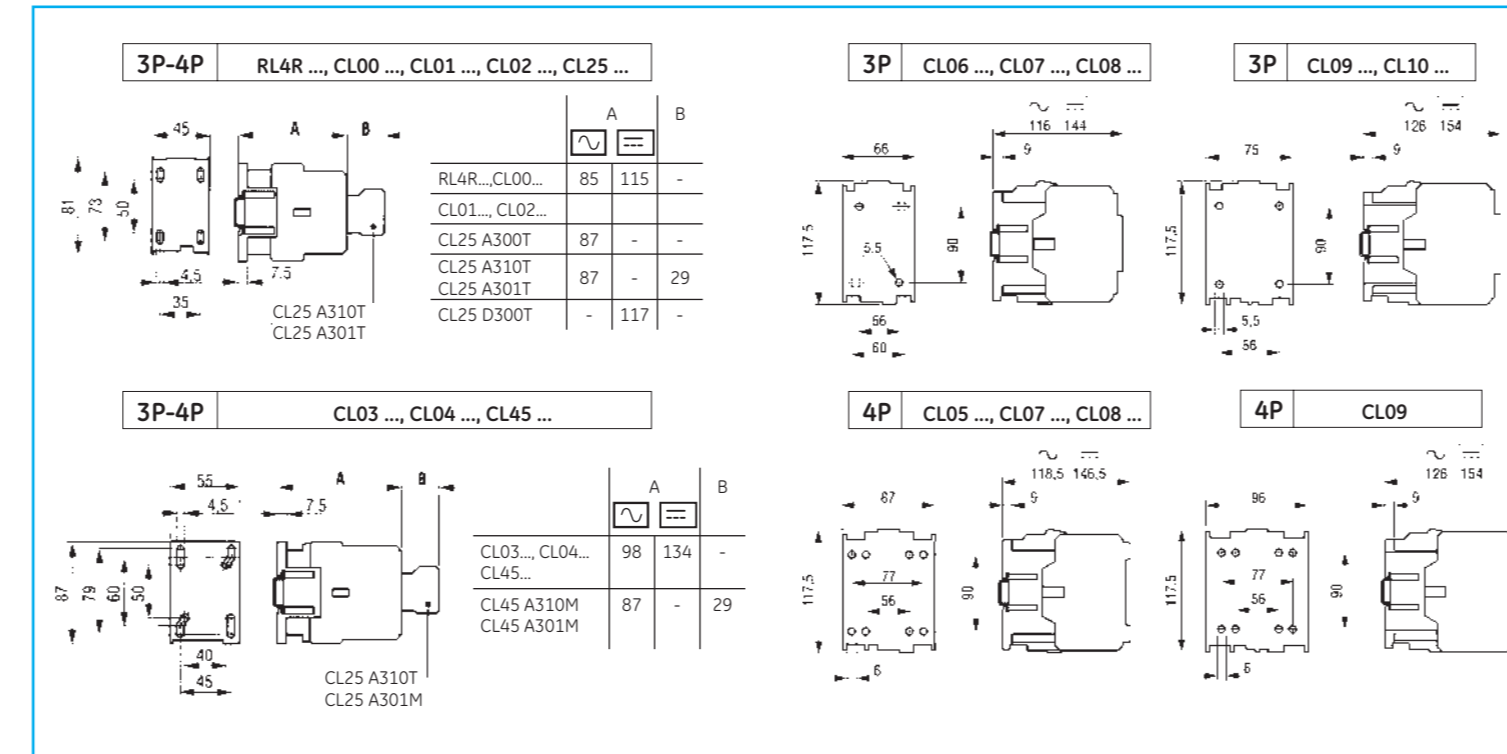
Contactors and thermal overload relays
Contacteurs et relais thermiques



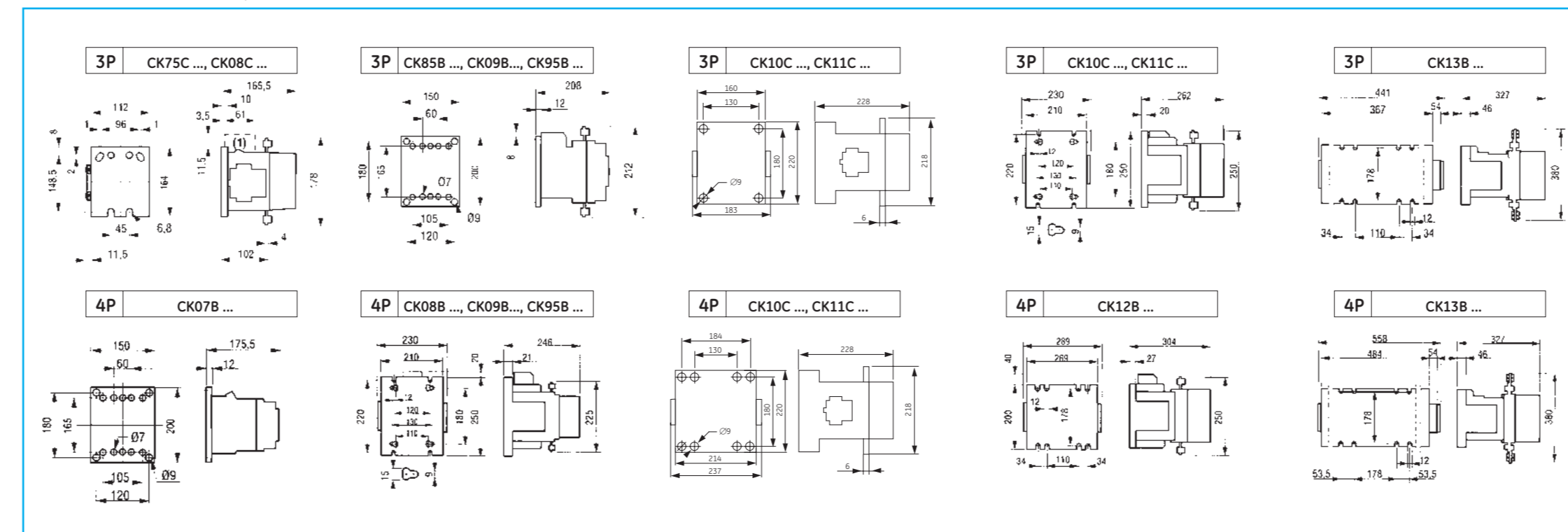
Series M - Mini-contactors / Série M - Minicontacteurs



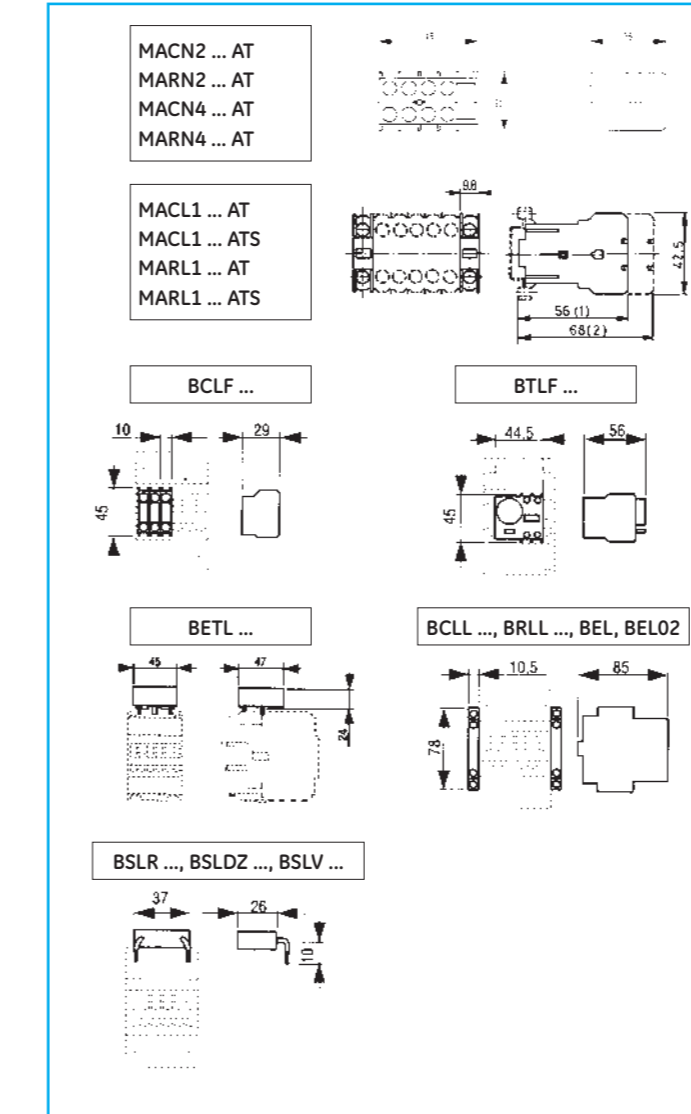
Series CL - Contactors / Série CL - Contacteurs



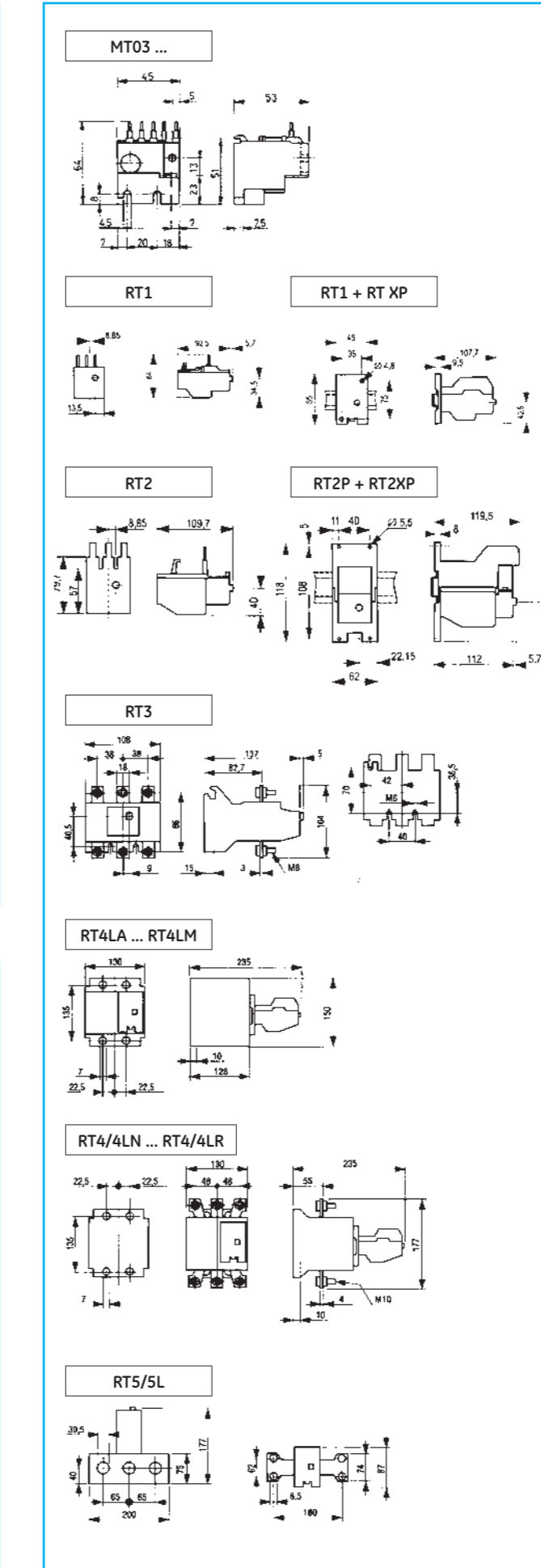
Series CK - Contactors / Série CK - Contacteurs



Accessories / Accessoires



Thermal overload relays / Relais thermiques



Motor protection devices
Surion manual motor starters
SFK Motor protection circuit breakers



Light towers
Outstanding modular concept
Steady light units, flashing light units, strobe
light units, LED light units
Protection degree IP65



Main switches
Series ML: main switches and
emergency-stop switches on machinery.



Push-buttons
Industrial push-buttons and switches
Series P9 - Ø 22.5 mm
Series 077 - Ø 30 mm
Palm and foot switches.



Plug-in auxiliary relays
Standard 8-11 pin plug-in relays
Miniature plug-in relays
Number of contacts: 2-3-4 changeover
Interface relay for PLC



Starters and inverters
VAT2000
High performance inverters.
Variable speed drivers for squirrel cage
asynchronous motors, from
0.4 to 315kW.



Electronic relays
Single voltage and multivoltage electronic
timers and relays.
Liquid level and flow detectors and earth-
leakage relays.



Limit switches
Thermoplastic and metallic limit switches.

www.gepowercontrols.com



GE POWER CONTROLS
International Sales
Nieuwevaart 51
B-9000 Gent
Belgium

Tel. +32/9 265 21 11
Fax +32/9 265 28 90
E-mail: gepcbe@gepc.ge.com

GE POWER CONTROLS
Hornhouse Lane
Knowsley Industrial Park
Liverpool L33 7YQ
United Kingdom

Tel. 0800/587 1251
Fax 0800/587 1239
E-mail: gepcuk@gepc.ge.com

